

5/8-11 THREAD x 1-1/8 DEEP
C'BORE Ø.642 x .300 DEEP

Ø2.50

Ø1.50

Ø16mm BORE
2.35" DEEP

Ø1.75

7/24 TAPER

TIP Ø.92

2.69

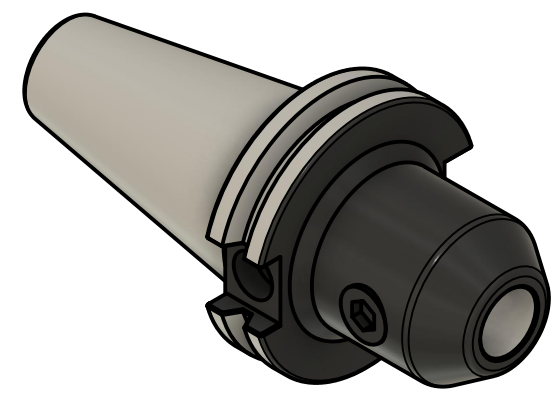
0

.125

.75

1.93

60mm



NOTES:
 HOLDER USES 9/16 - 18 SET SCREW, PART #SS210
 SET SCREW USES A 1/4 ALLEN KEY
 FOR MORE PRODUCT DETAILS PLEASE GO TO MARITool.COM
 AND SEARCH ITEM # LISTED ON THIS PRINT

MARITool	
www.maritool.com	
ITEM#	CAT40 EM16-60
Made In USA / Drawn By FM	